

High Quality Lubricants for Textile Finishing Lines

Because of the long lasting experience in the distribution of original spare parts and recently the production of complete textile finishing machines on highest quality level as well as because of extended know-how in the textile machinery sector of the INTERSPARE family also INTERSPARE Lubricants benefits from this knowledge.

A great range of application tests and the nearness to the practice prove the ideal application of the lubrication products of INTERSPARE Lubricants.

Our products meet highest quality standards. Therefore a variety of customers in more than 90 countries are using our lubricants with great success for more than 10 years now.

We are always working together very closely with our clients and distributors to find the optimum lubrication solution for its application in textile finishing lines (stenter frames) and textile machinery in general.

Our three main lubrication products, shown on the right, have been developed for highest quality requirements and for longest lubrication intervals. All lubricants are especially suited for high temperature use and in areas under extreme conditions to guarantee the best maintenance of the corresponding machine part or component for a long life cycle.

We are looking forward to working together with you on the refinement of the maintenance of your machine through finding the optimal lubrication.



Successfully used for the following brands ...



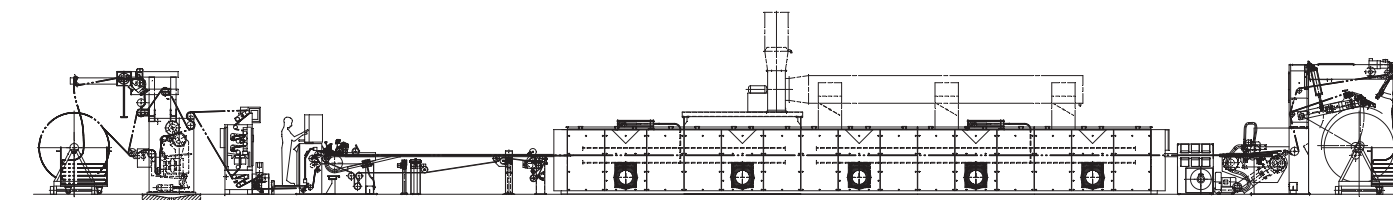
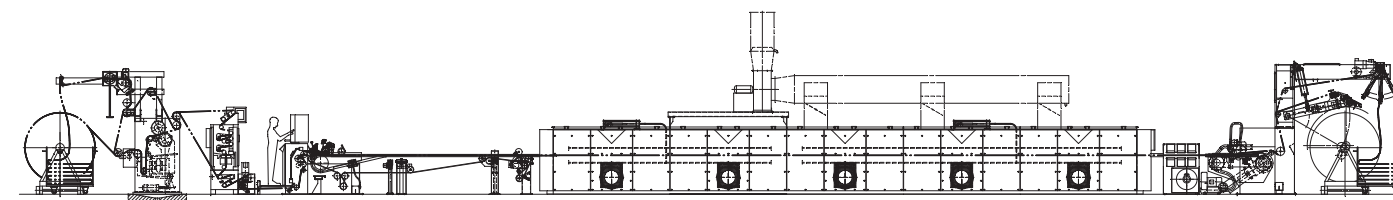
Premium Lubricants for Textile Industry

Textile finishing lines

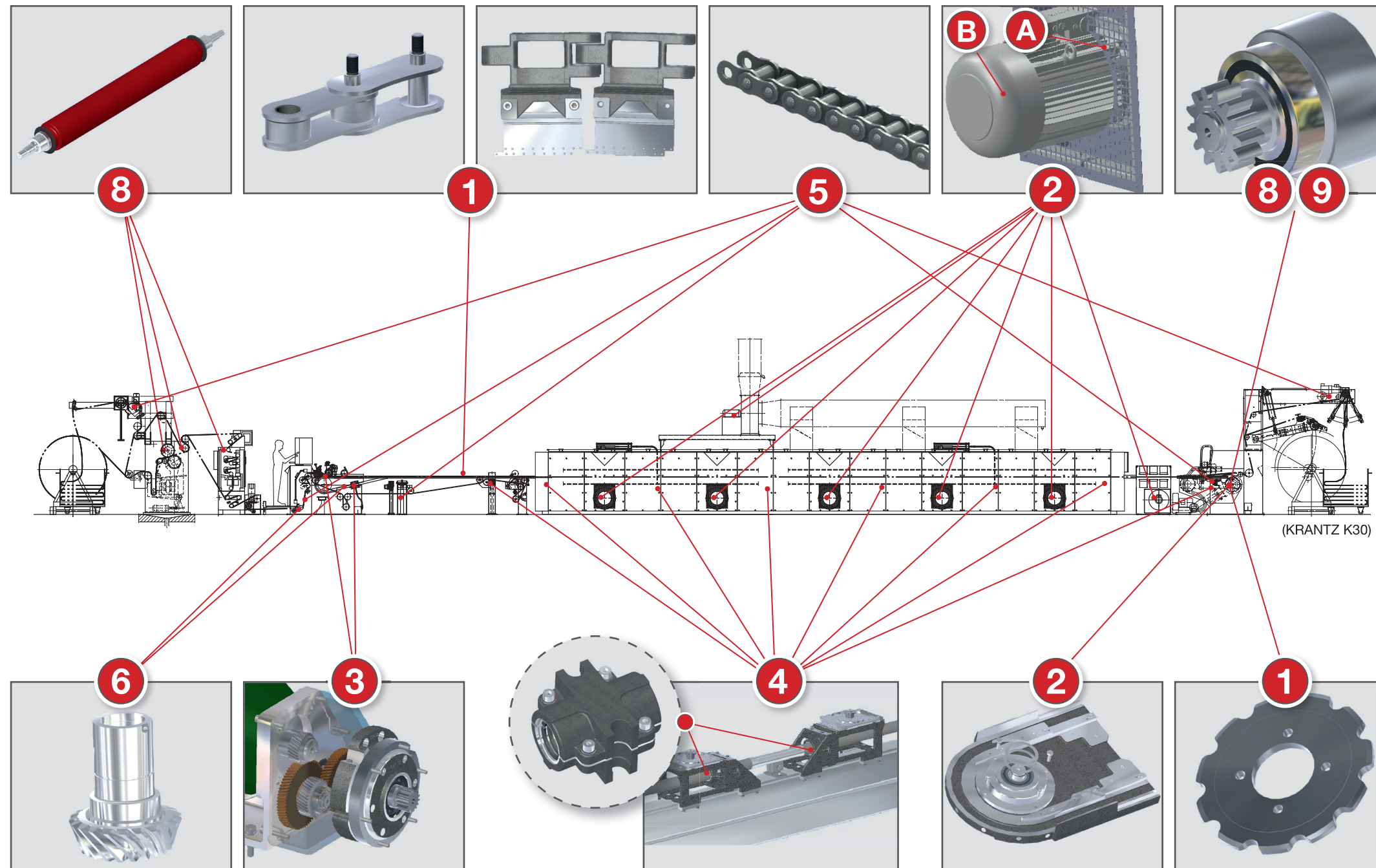
INTERSPARE Lubricants GmbH

Roentgenstrasse 31 – 33
D-21465 Reinbek
Germany

Phone: +49 (0) 40 727 767 – 0
Fax: +49 (0) 40 727 767 – 10
E-Mail: info@interspare.com
Web: www.interspare-lubricants.com



No.	Lubrication point (Machine-Component/-Part)	Name of lubricant	Characteristics	Advantages in application
1	Fabric conveyor chains (Bolt and fully lubricated) Horizontal-/Vertical-Slide (Sliding pads-) chain, System: ARTOS / BABCOCK / TEXTIMA , KRANTZ / STENTEX, FAMATEX, many other brands Pinion for return wheel of the fabric conveyor chain Ball bearing mounted chains Horizontal-Ball bearing chain, System: STENTEX / TEXTIMA / FAMATEX, many other brands	PREMIUM HT OIL (viscosity = 260 cSt) / PREMIUM HT PLUS OIL (viscosity = 320 cSt) DURATA HT 56-02	Fully synthetic high temperature oil with latest additive-technology for low and high temperature lubrication from - 30 → +250°C. Long-life high temperature grease particularly developed for ball bearings in stenter conveyor chains under extreme conditions, Temperature range: -40 →+250°C / short time: 280°C	<ul style="list-style-type: none"> Avoids laquer films Outstanding creeping and penetrating properties Excellent wear protection at low friction rates Adhesive additives prevent dripping and spining off <ul style="list-style-type: none"> Excellent load carrying and wear properties Extended relubrication cycles Extremely low evaporation rate
2	Bearings of air circulation- and exhaust air- fan shafts - A-Bearing: Working temperatures up to 250 °C - B-Bearing: Working temperatures up to 180 °C Bearings for: Return wheels of fabric conveyor chain, Cooling chamber fan shafts	DURATA HT 56-02 RELABO GBS 193 / STRONGANA M 9 EP	Fully synthetic low- and high temperature grease for long time lubrication. Temperature range: - 40 – + 180°C	<ul style="list-style-type: none"> Excellent corrosion and wear protection High nDm-Factor Low starting resistance in low temperature range Significant extension of relubrication intervals
3	Pinning gear / Automatic chain tensioner: Sliding surfaces Ball joints at longitudinal shaft of width adjustment bearing of chain drive shaft in the outlet ; Bearings for: Main drive shaft in the outlet, Rocker bearing for post-pinning brush, Pressure roller for selvage glueing device	STRONGANA M 9 EP / STRONGANA M12 FS	High-temperature grease for long-term lubrication up to 180°C	<ul style="list-style-type: none"> Universal in use and very media-resistant Excellent corrosion and wear protection High sealing and adhering effect Emergency running characteristics by solid lubricants
4	Friction points inside the dryer and in dryer area Spindles and spindle nuts (unless lubrication free design) – e.g. brand ARTOS, Chain wheels, gears, gear racks and other sliding points, e.g. at on cloth passage sliding elements, slide doors and rope pulleys of the nozzle body lifting device.	MolybDry TL5 Spray	High-temperature-dry lubricating film based on MoS ₂ , air – drying for temperatures from -200°C up to +450°C	<ul style="list-style-type: none"> Clean application and economical in onsumption Reduces wear and tear Excellent load carrying ability Optimized running-in procedures Avoids stick-slip
5	Roller chains For drives - In- and outlet frame desks (Entry roller, Center supporting system, Width adjustment outlet, Take-down roller and Plaiter): Roller chain according to DIN 8187 (ARTOS / BABCOCK / KRANTZ / STENTEX) Stenter frame: Horizontal fabric conveyor chain (FAMATEX)	ABRAXAN 95 Spray / STURGIS BHD Spray	Multipurpose-grease for textile machinery. Particularly designed for Harry Lucas machines. Temperature range: - 40 – +180°C. Fully synthetic lubricating oil with EP-additives for high temperature application between - 5 and + 200°C.	<ul style="list-style-type: none"> Minimizes wear even under highest temperatures Excellent corrosion protection <ul style="list-style-type: none"> Excellent wear and corrosion protection Excellent creeping properties Residue-free evaporation of the basic oil Very good altering properties Adhesive additives prevent spining- and dripping-off



No.	Lubrication point (Machine-Component/-Part)	Name of lubricant	Characteristics	Advantages in application
6	Worm gear of width adjustment / Head drive Bevel wheels for width adjustment (e.g.: STENTEX) and gearing of drive pinion, gear rack and and guide pulley-track of the Guiding device (E+L)	STURGIS BHD Spray / PROTEX GEAR UNI Galeeon No.1 Spray	(see no. 5)	(see no. 5)
7	Friction points inside the dryer: Roller- and plain bearings as well as shafts, like in the rollers / drums only in Double-, Multilayer-, and Duplex stenters (eg.: KRANTZ KM 16-1). (not shown in the drawing of KRANTZ K30)	SILKOPLEX L 50 (up to 200 °C) / DURATA HT 56-02 (up to 250 °C)	High-temperature grease on silicon basis with PTFE. Temperature range: -50°C – +200°C	<ul style="list-style-type: none"> Outstanding sealing properties Non-volatile Resistant to cold and hot water Resistant to oxidation Steam resistant up to approx. 130°C Compatible with EPDM, FPM and NBR.
8	Friction points outside the dryer - Roller- and plain bearings: Bearings of electric motor (main drive) Working temperatures up to 180 °C Working temperatures up to 160 °C Bearings of rollers inside the padder / straightener Working temperatures up to 140 °C (Brand: Bianco) Working temperatures up to 180 °C (Brand: E+L)	STRONGANA M 12 FS / STRONGANA M 9 EP / RELABO GBS 193 RELABO GBS 130 AVADA 2 EP STRONGANA M 9 EP / STRONGANA M 12 FS	High temperature grease with various applications (e.g. ball bearings). Temperature range: -40°C – +160°C	<ul style="list-style-type: none"> Resistant to cold and hot water as well as to steam Suitable for long-term and life-time lubrication Resistant to aqueous alkaline or acidious cleansing or washing agents resp. its vapours
9	Gear boxes: Spur gear Gear train Main drive (e.g.: ARTOS / BABCOCK / KRANTZ) Gear reducer (E+L Straight, -Padder) Other worm gears and spur gears	PREMIUM GEAR 220 / EPL PREMIUM GEAR 220 / EPL / SYNTEC PG 220 PREMIUM GEAR 220 / EPL PROTEX GEAR UNI	Mineral based high performance gear oil with special EPL-additives Fully synthetic H1-high performance-gear oil on polyalkylenglykol-basis	<ul style="list-style-type: none"> Enables longer lube change intervals or higher efficiency Outstanding wear protection thanks to EPL-additives <ul style="list-style-type: none"> Excellent oxidation- and altering stability High load carrying ability Excellent wear protection
10	Hydraulic station and compressed-air maintenance (not shown in the drawing of KRANTZ K30)	PREMIUM HLP 68	High performance hydraulic oil	<ul style="list-style-type: none"> Very good viscosity-temperature properties Excellent oxidation- and altering stabilit